

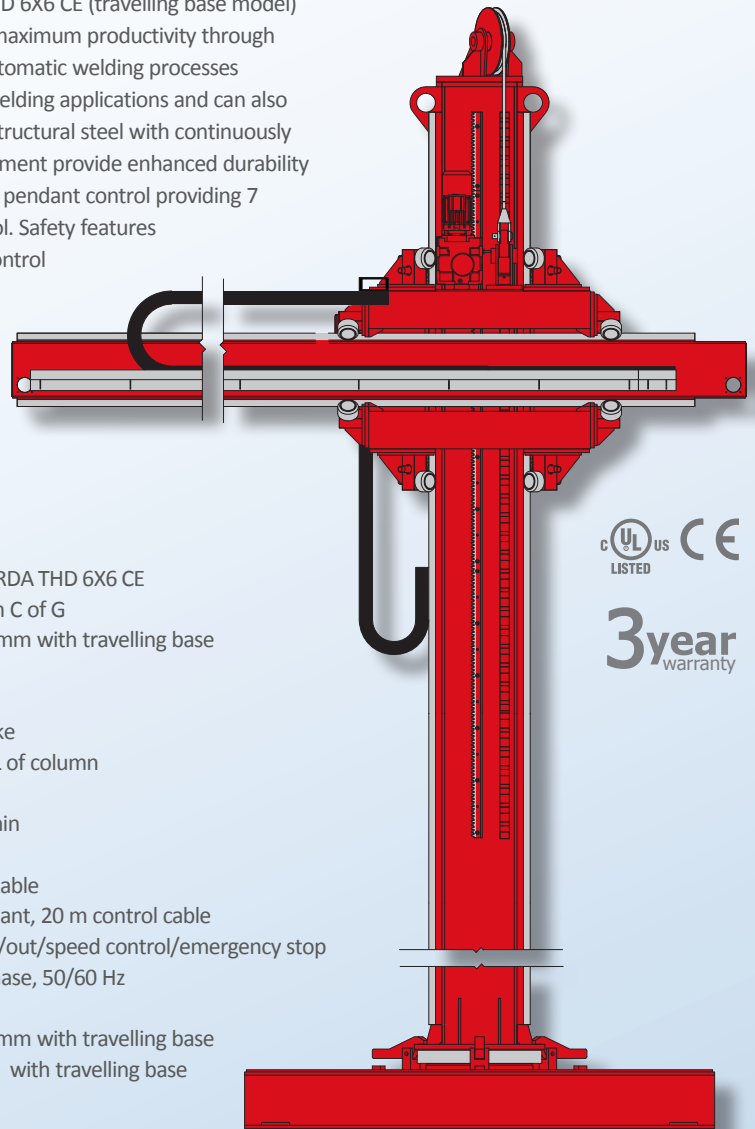
RDA HD 6X6 CE - Fixed Base Model

RDA THD 6X6 CE - Travelling Base Model

Heavy Duty 6M x 6M

Column and Boom

Red-D-Arc's RDA HD 6X6 CE (fixed base model) and RDA THD 6X6 CE (travelling base model) column and booms provide excellent welding results with maximum productivity through consistent and accurate placement of welding heads for automatic welding processes including inside, outside, longitudinal and circumferential welding applications and can also be used in conjunction with polishing and grinding heads. Structural steel with continuously welded roundways along with rack and pinion driven movement provide enhanced durability and extended overhaul intervals. Operated via push button pendant control providing 7 function boom control and 5 function travelling base control. Safety features include an integrated anti-fall device and UL /CE certified control boxes with IP65-rated enclosures. All Red-D-Arc column and booms have been tested and certified by UL to establish safe working loads - a first in the weld automation industry.

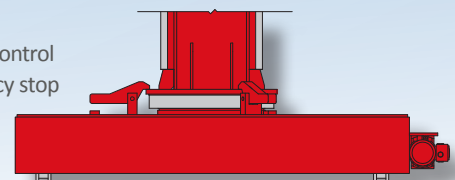


Specifications

| | |
|---------------------------------------|--|
| Model | RDA HD 6X6 CE / RDA THD 6X6 CE |
| Maximum Load | 454 kg @ 457 mm C of G |
| Max. Height Under Boom | 6000 mm / 6025 mm with travelling base |
| Vertical Boom Travel | 5000 mm |
| Vertical Boom Speed | 2000 mm/min |
| Lift Motor | 0.75 kW with brake |
| Max. Horizontal Extension | 7081 mm from CL of column |
| Horizontal Boom Travel | 6000 mm |
| Horizontal Boom Speed | 100 - 2000 mm/min |
| Boom Motor | 0.37 kW |
| Rotation | Manual 360°, lockable |
| Control | Push button pendant, 20 m control cable |
| Control Functions | Up/down/in/stop/out/speed control/emergency stop |
| Primary Input Power | 380 to 480 V, 3 phase, 50/60 Hz |
| Input Current at Rated Load | 6 A |
| Overall Height | 7500 mm / 7525 mm with travelling base |
| Weight | 7000 kg / 7500 kg with travelling base |
| Control Box Ingress Protection Rating | IP65 |
| Control Box Electrical Certification | UL508 |
| Loading Capacity Certification | UL2011 |

RDA THD 6X6 CE (Travelling Base Model)

| | |
|-------------------------|---|
| Travelling Base Control | Uses column and boom push button pendant control |
| Control Functions | Forward/stop/reverse/speed control/emergency stop |
| Travel Speed | 100 - 2000 mm/min |
| Rail Gauge | 1800 CRS for A45 rail profile |



Red-D-Arc Welderentals rents and sells welding and weld-positioning equipment - around the world.

RDA HD 6X6 CE - Fixed Base Model
 RDA THD 6X6 CE - Travelling Base Model

Heavy Duty 6M x 6M
 Column and Boom

