

USER MANUAL
CONVENTIONAL ROTATORS

Model
RDA CR5 CE/NA
5T Welding Rotators

Table of Contents

1.0 Preface 4

 1.1 Using This Manual..... 4

 1.2 Safety Notices 5

 1.3 Disclaimer..... 5

2.0 Introduction 6

 2.1 Purpose and Function of Welding Rotators..... 6

 2.2 Nomenclature Used in this Manual 6

3.0 Safety 7

 3.1 Introduction 7

 3.2 Safety Rules..... 7

 3.3 Users 7

 3.4 Workspace 8

 3.5 Emergency Stops..... 8

 3.6 Non Compliant Operation..... 9

 3.7 Warning Signs 9

 3.8 Emission and Environmental Information 9

4.0 Operating Instructions 10

 4.1 Machine Details 10

 4.2 Control Panel..... 11

 4.3 Pendant..... 12

 4.4.1 Set UP..... 13

 4.4.2 Adjusting the Wheel Brackets..... 14

 4.4.3 Included Angle 14

 4.5.1 Switching On 15

 4.5.2 Operating the Rotators 16

 4.5.3 Welding 16

 4.5.4 Stopping the Rotators 16

 4.6 Common Mistakes When Using Conventional Rotators 17

 4.7 Breakdowns..... 19

 4.8 Cleaning..... 19

5.0 Maintenance and Servicing..... 20

 5.1 General..... 20

 5.2 Installation 20

5.3 First Time Run in 20

5.4 Storage 21

5.5 Repair and Maintenance..... 21

5.6 Repairs and Replacement Parts 22

6.0 Replacement Parts 22

6.1 MECHANICAL PARTS LIST 22

6.2 ELECTRICAL PARTS LIST 23

Appendix A – GA Drawings 24

Appendix B – Wiring Diagram 26

Appendix C – Inverter Parameter Settings 27

Appendix D – Gearbox Maintenance 28

Appendix E – UL Listing Information..... 29

Table of Illustrations 31

1.0 PREFACE

This user's manual describes the everyday use and maintenance of our Conventional Rotator sets. Any actions that are required to be carried out by the manufacturer have not been included in this manual.

This manual is part of the machine. Please keep this manual safe. Information in this manual could be useful at a later time or when a repair or maintenance is carried out. We suggest that a copy of the manual is made and kept with the machine; the original should be kept in a safe place. If necessary, replacement copies can be supplied. If the machine is sold at a later date then the manual should be also supplied with it to the new user.

1.1 USING THIS MANUAL

The instruction in this manual are arranged for various personnel at the end users factory. The definitions in this manual, for these users are as follows;





User :	The collective term for anyone working at or on the rotators
Operator:	This is the person that operates or drives the machinery on a daily basis. Read Chapters: 2 Introductions, 3 Safety and 4 Operation.
Service Engineer	Personnel trained and experienced in maintenance and repair of mechanical or electrical elements of machine systems. Read Chapters: ALL CHAPTERS
Safety Officer	The person responsible for site safety procedures at the location where the rotators are installed. Where no Safety Officer is designated, then this will be the employer. Read Chapters: 2 Introduction, 3 Safety and 4 Operation

In this manual the word "vessel" is used to mean any component or device that is handled on the rotators.

All the pictures and diagrams used in this manual are purely for illustrative purposes only, to help explain instructions in the text. The actual equipment supplied may deviate slightly from those illustrated.

1.2 SAFETY NOTICES

The following Safety notices in this document are organized as follows:

Safety notice	Description
 Danger!	Disregarding the safety regulations and guidelines can be life-threatening.
 Warning!	Disregarding the safety regulations and guidelines can result in severe injury or heavy damage to the rotators and/or vessel.
 Caution!	Disregarding the safety regulations and guidelines can result in injury or damage to the rotators and/or vessel.
 Information:	Important information used to prevent errors.

1.3 DISCLAIMER

We reserve the right to change the content of this manual without prior notice. The information contained herein is believed to be accurate as of the date of publication, however, Key Plant Automation Ltd, makes no warranty, expressed or implied, with regards to the products or the documentation contained within this document. Key Plant Automation Ltd. shall not be liable in the event if incidental or consequential damages in connection with or arising from the furnishing, performance or use of these products. The software names, hardware names and trademarks used in this document are registered by the respective companies.

2.0 INTRODUCTION

2.1 PURPOSE AND FUNCTION OF WELDING ROTATORS

The Conventional Rotator is designed to aid the welding of cylindrical vessels.

By using independent drive and idler units, vessels of varying lengths can be placed on the rotators supported on the rotator wheels. The wheels can be adjusted on the base frame to accommodate different vessel diameters.

2.2 NOMENCLATURE USED IN THIS MANUAL

Below are listed explanations of commonly used phrases used in this manual.

Drive Unit:	Rotator Section with Powered Wheels
Idler Unit:	Rotator Section with Free Wheeling Wheels.
Rotator Set:	A set consists of 1 drive unit and 1 or more idler units
Baseframe:	The frame the drive or idler wheels are mounted on. These are pre-drilled so that the wheel brackets can be positioned for different vessel diameters.
Wheel Bracket:	The bracket which houses the rotator wheels. This is bolted down to the baseframe.
Panel:	Electrical control box mounted on the Drive Unit
Pendant:	Operators hand control Pendant

3.0 SAFETY

3.1 INTRODUCTION

These welding rotators have been designed and manufactured in such a way that they can be used and maintained safely.



This relies on following the instructions as detailed in this manual, therefore it is **necessary** for anyone working with or on this machine to have read this manual.

3.2 SAFETY RULES

- Ensure that children or animals do not have access to the machinery at any time
- Any safety items fitted, must not be bypassed, or removed. If they have to be removed then the equipment must be put out of operation, until a repair is completed.
- Always keep the workplace clean and free from obstacles.
- Make sure that the work area is well lit.
- Ensure that the machine is regularly maintained to ensure that it remains safe.

3.3 USERS

OPERATORS

The rotators may only be operated by adults, who have read and understood this manual, in particular the sections on Safety and Operating Instructions.

Specialised training is not necessary, but experience in working with this kind of equipment is required.

The tasks of the operator will include;

- Moving the wheel brackets on the baseframe to accommodate different vessel diameters.
- Loading vessels onto the rotators
- Operating the machine
- Daily Maintenance Checks
- Watching the rotators and vessel while it is turning.
- Keeping the rotators clean.

SERVICE ENGINEERS

Service Engineers must be aware of the extra risks when working on the machine. As well as the above knowledge for operators, the service engineer must also;

- Have received the required training/education or knowledge as necessary for the local regulations regarding service engineers.
- Must have experience in maintaining and servicing machinery.
- Have access to correct tools required to service/repair the machinery.

3.4 WORKSPACE



By this we mean a clear space around the drive and idler units of around 1500mm. From within the workspace all operations and servicing can be carried out. Ensure that any protrusions on the vessel cannot cause any injury or damage.

3.5 EMERGENCY STOPS



It is vitally important for the safety of the operators and any other personnel in the area of the rotators, that the operator fully understands the location and how to use the emergency stop buttons on the machines. It is also recommended that other personnel that work in the vicinity of the rotators are also aware of the positions of emergency stop buttons, so they can stop the equipment if the operator requires assistance or is trapped by the machines

Firstly all new operators should be made aware of these emergency stop procedures.

There are two emergency stop buttons fitted to the rotators, one is located on the panel mounted on the drive unit, the second is mounted on the pendant.

Pressing either of these two buttons will immediately bring the rotators to a stop, and all controls will be locked.

In case of personal injury, help can be given immediately, also if there is other urgent action required this can be carried out immediately.

After the hazard has been resolved and after checking the machine can be safely operated again, the emergency stop button needs to be released by twisting it in the direction of the arrows printed on it. Once this is done the reset button on the panel needs to be pressed and will illuminate. Once the light comes on, the rotators will not restart again, until a direction button is pressed. Normal operation will now continue.

Note either emergency stop button can be used to stop the machine but operation can only restart again once the reset button is pressed.



We recommend

- New operators are allowed to practise with the emergency stop switches
- The Emergency Stop is tested at the start of every shift



NEVER DISCONNECT OR BYPASS THE EMERGENCY STOP BUTTONS

3.6 NON COMPLIANT OPERATION



These welding rotators are not suitable for the following types of operations.

- Any Vessel which is heavier than the maximum weight limit for the rotators
- Any Vessel that is larger/smaller than the maximum/minimum diameter that can be supported.
- (If the rotators have polyurethane or rubber tyres) Do not use on preheated vessels above 70°C.

In addition the following is also prohibited;

- The mounting of additional controls which are not approved by the manufacturer.

3.7 WARNING SIGNS

On the machines there will be various warning signs. These should be checked to ensure that they remain visible and readable at all times. If necessary order replacements.



Warning symbols are on the machine for a reason. Check them regularly to ensure they are always affective.

3.8 EMISSION AND ENVIRONMENTAL INFORMATION

The rotators themselves do not contain substances that are dangerous to humans. There are no specific dangers in the operation, maintenance or dismantling of this machinery regarding the environment.

In the event of a fire standard fire extinguishing equipment may be used as suitable.

4.0 OPERATING INSTRUCTIONS

Before operating the rotators please ensure that you have read Chapter 2 – “Safety”. This chapter of the manual is meant for the operators, though all people concerned with the machines should read it.

4.1 MACHINE DETAILS

The rotator set will usually consist of one drive unit and 1, 2 or 3 idler units.

The idler unit basically consists of a base frame with two wheel brackets bolted onto the top of it. There are holes drilled through the top of the baseframe so that the wheel brackets can be positioned at different distances apart, to suit the vessel diameter.

The drive unit again has two wheel brackets and similar to the idler unit these can be positioned to suit the vessel diameter. Either one or more usually both wheel brackets will be motorised (depending on the model). The wheel is turned by an electric motor through a reduction gearbox. The motor is connected back to the panel on the drive unit. Inside the control panel is an inverter which controls the motors. There is also a hand pendant on a flexible cable connected to the panel.

4.2 CONTROL PANEL

The control panel on the drive unit has the following;

1. Power On Light – Illuminates when the power is connected.
2. Reset Button – for resetting the machine after an emergency stop has occurred. The button will be illuminated to show the rotator needs to be reset.
3. Footswitch Selector
4. Direction L/R Selector
5. Emergency Stop Button
6. Panel door opening key
7. Door electrical isolator, must be turned off before panel door can open.



Figure 1 Main Panel

3 Position Selectors No. 3 (On Photo)

Position FS I – Control by footswitch with Speed Controller

Position FS II – Control by footswitch without Speed Controller. Speed control is performed via the hand pendant control.

PEND – All controlled through the hand pendant.

2- Position Selector No. 4 (On Photo)

←/→ Rotation direction selector clockwise/anti-clockwise for use with footswitch.



4.3 PENDANT

The hand pendant has the following controls



Rotation direction push buttons, forward reverse and stop.

Note as soon as one of the direction buttons (Forward or Reverse) are pressed then the rotators will begin to turn the vessel.

Speed Control Potentiometer:

Turning the knob clockwise increases the rotator speed, and conversely rotating anti-clockwise decreases the speed.

Emergency Stop Button, this is located under the guard at the end of the pendant.

Figure 2 Hand Control Pendant



We recommend that the operator always presses stop, before changing the rotation direction.

4.4.1 SET UP

After delivery and setting into place these rotators will be ready for use.

Firstly choose a place for the rotators to be located. This should have suitable access to the machines. Also enough space around the machines including vessel when loaded. It should also be positioned in such a way as to allow easy unhindered load and unloading of vessels onto the rotators by either overhead crane or other lifting devices.



Always ensure that there is sufficient space around the machine. See section 3.4 of this manual.

When moving the rotators, the correct lifting equipment must be used. Either correctly rated overhead cranes or forklift trucks can be used.



Forklift Truck: When lifting the rotators using a forklift truck, use the slots in the long side of the frames for the forks. Take notice of the positions of the wheel brackets on the frames in case they cause an imbalance when lifting the frame. Ensure that they are both at an equal distance from the centreline of the frame, and that they are properly bolted to the frame and will not move during lifting.

Lifting by crane:

The rotators can be lifted by using the lifting points on the Rotator wheel brackets. One lifting point on each side of the wheel bracket should be used, (4 lifting points in all). It is desirable that the angle between the chain and the lifting points on the rotators makes a 60° angle (see figure 3).

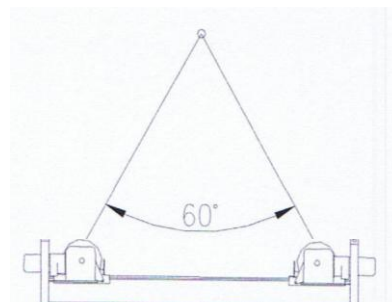


Figure 3 Lifting Chain Angles

The rotators should be placed on a smooth, level, hard floor that is capable of taking the weight of the rotator and vessel, over the contact area of the rotator with the floor.

The distances between the baseframes should be such as to match the vessels dimensions. Ideally if the vessel is perfectly symmetrical and 1 drive with 1 idler are being used. The drive and idler should be one third of the way along the vessel length to ensure that equal load is put onto each section. If more weight is at one end of the vessel, then drive or idler section should be moved closer to this end to again balance the loading on each section.



It is important to balance the loading equally between the drive and idler section(s). Failure to do so may result in overloading one of the sections which will cause problems when trying to rotate the vessel (wheels slipping). It can also result in back-driving where the vessel can continue to rotate after stopping the rotators. If observed this must be rectified by correctly positioning the drive and idler section, failure to do so will cause damage to the equipment.



WARNING! As soon as one of the direction buttons (Forward or Reverse) is pressed then the rotators will begin to turn the vessel.

4.4.2 ADJUSTING THE WHEEL BRACKETS

The operator will need to adjust the positions of the two wheel brackets on the baseframe, so that vessels of different diameters can be loaded.

To do this, the operator needs to;

1. Unbolt the wheel bracket from the baseframe.
2. Use a crane to lift the wheel bracket using the lifting points.
3. Move the bracket to the required position for the diameter of the vessel.
4. Bolt the wheel brackets back onto the baseframe using all the bolts, and tighten.



We recommend that the wheel brackets are always adjusted so that the axis of rotation of the vessel, is on the centre line of the drive and idler frames of the set of rotators.

See section 4.6 for details of the distances between the two wheel brackets

4.4.3 INCLUDED ANGLE

The distance between the wheel brackets on both the drive and idler sections will depend on the diameter of the vessel. The included angle must be between 50° and 80°, but we recommend setting the rotators up always as close to 60° as possible.

The included angle is the angle between two lines from the centre of the rotation axis of the vessel to the centre of each wheel on the drive or idler section. It is of importance, as the angle increases so does the resulting load on each wheel, and consequently the load on the bearings. Also by increasing the angle more torque, and therefore more power, is required to rotate the vessel.

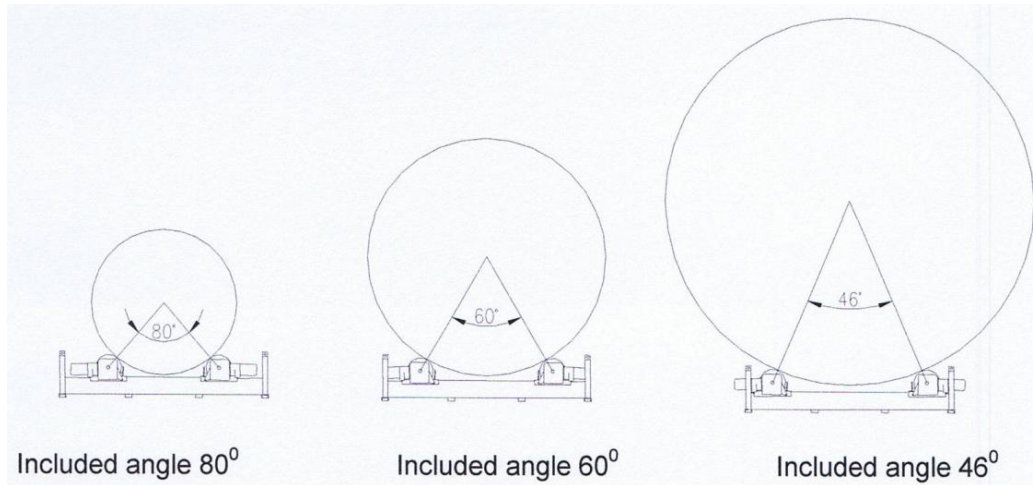


Figure 4 Diagram Showing Included Angle



You can quickly calculate the distance that the wheel brackets need to be apart in order to achieve a 60° included angle. It is;

$$\text{Centre to Centre Distance of Wheels} = \text{Radius of Vessel} + \text{Radius of Wheel}$$

4.5.1 SWITCHING ON

Before switching on the rotators, check the following;

- Are the wheel brackets correctly bolted down on the baseframe.
- Visually inspect the wheels, motors, gearboxes, pendant, panel and cables for any signs of damage.
- Are the wheels correctly positioned under the vessel?
- Are there any obstructions to prevent rotation of the vessel (if one is loaded)?



WARNING! Do not operate the rotators if there are signs of damage, always have a service engineer to check these over and make repairs if necessary.

Once the operator is satisfied that the rotators are in good order, plug in the mains lead to the power supply.



WARNING! Check that the mains power supply matches the electrical voltage shown on the panel.



WARNING! Ensure that the mains and pendant cables, do not cross lanes where forklift trucks or other vehicles can run over them, and they do not create a tripping hazard.

Switch on the mains power, and the Power On lamp on the control panel should illuminate.

Check that the emergency stop buttons are not pressed in, and then press the reset button.

The machine is now ready to operate.

4.5.2 OPERATING THE ROTATORS

Once the operator is happy the rotators are correctly aligned and the wheel brackets are in the correct position, they may then load the vessel on the rotators. This must be done steadily, so as not to shock load the rotators. If the rotators are shock loaded then this will cause damage to the drive chain.

Ensure that no protuberances on the vessel can strike objects around the rotators, or the floor during rotation.

The operator should then set the speed potentiometer knob (*see figure 2*) to the desired speed.

Then press the desired travel direction (**GREEN** or **YELLOW** button) the rotators will then start to turn the vessel.

4.5.3 WELDING

It is important that the user is aware of the earthing requirements of their welding procedure, and that this is correctly connected to the vessel before welding. Standard rotators are not designed to earth the vessel during welding.



WARNING! When welding, the vessel **MUST** be earthed independently of the rotators. Earthing through the rotator will cause serious damage to the rotator sets.

The only exception to this would be, for special steel wheel rotators which have been fitted with an earthing point. In which case it is essential that the earth cable is connected properly at this earthing point, before welding.



It is good practise to keep the rotators clean. Any arc sparks, flux or slag that falls onto the rotators should be removed as soon as is possible.

4.5.4 STOPPING THE ROTATORS

To stop the rotators, press the **RED** stop button on the hand pendant. This will stop rotation. Rotation will start again when a direction button is pressed.

If necessary the rotators can be stopped using the Emergency Stop Button on either the panel or hand pendant. This should only be used in an emergency.

4.6 COMMON MISTAKES WHEN USING CONVENTIONAL ROTATORS

1. Placing multiple drives under one vessel. This is only possible if special Master and Slave synchronised control panels have been supplied with the rotators. In which case the master panel controls the slave drive.
2. Parts of the vessel come into contact with the rotators, floor or objects in the vicinity during rotation. This can cause damage to the rotators and cause the wheels to slip or overload the units.
3. No proper earthing during welding. This can cause the electricians on the rotators to short out.
4. Emergency Stop button is depressed. If a switch is pressed in, the operator must find out who pressed it in and for what reason, before restarting the machine. There may be a hazard that someone else has seen and stopped the machine for.
5. The distance between the wheel brackets is too large, thus causing more load to be put through each wheel. This in turn can cause the rotators to be overloaded.

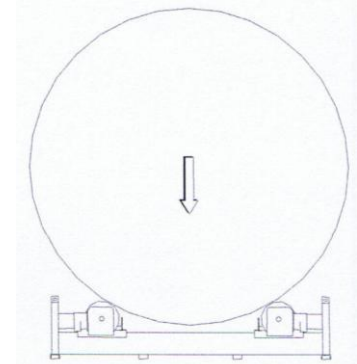


Figure 5 Wheel Brackets Too Far Apart

6. Wheel brackets are too close together.



This is a very unsafe position. During rotation the vessel could now roll off the rotators causing very serious injury to anyone in the vicinity of the rotators. It can also happen if there is an out of balance load i.e. the centre of gravity of the vessel is offset from the axis of rotation. The rotators should never be operated at an included angle of less than 46°.

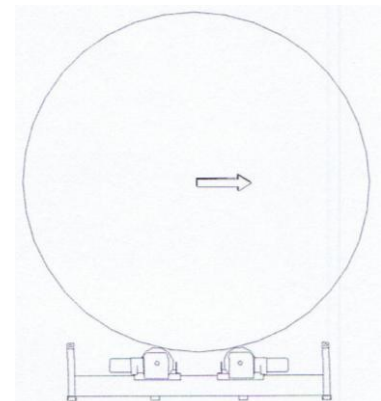


Figure 6 Wheel Brackets Too Close Together

7. If the drive and idler units are not aligned parallel to each other then the vessel can creep lengthways and even fall off the rotators. This can also cause wear and damage to the wheels of the rotator. See Figure 7 below for correct alignment details.

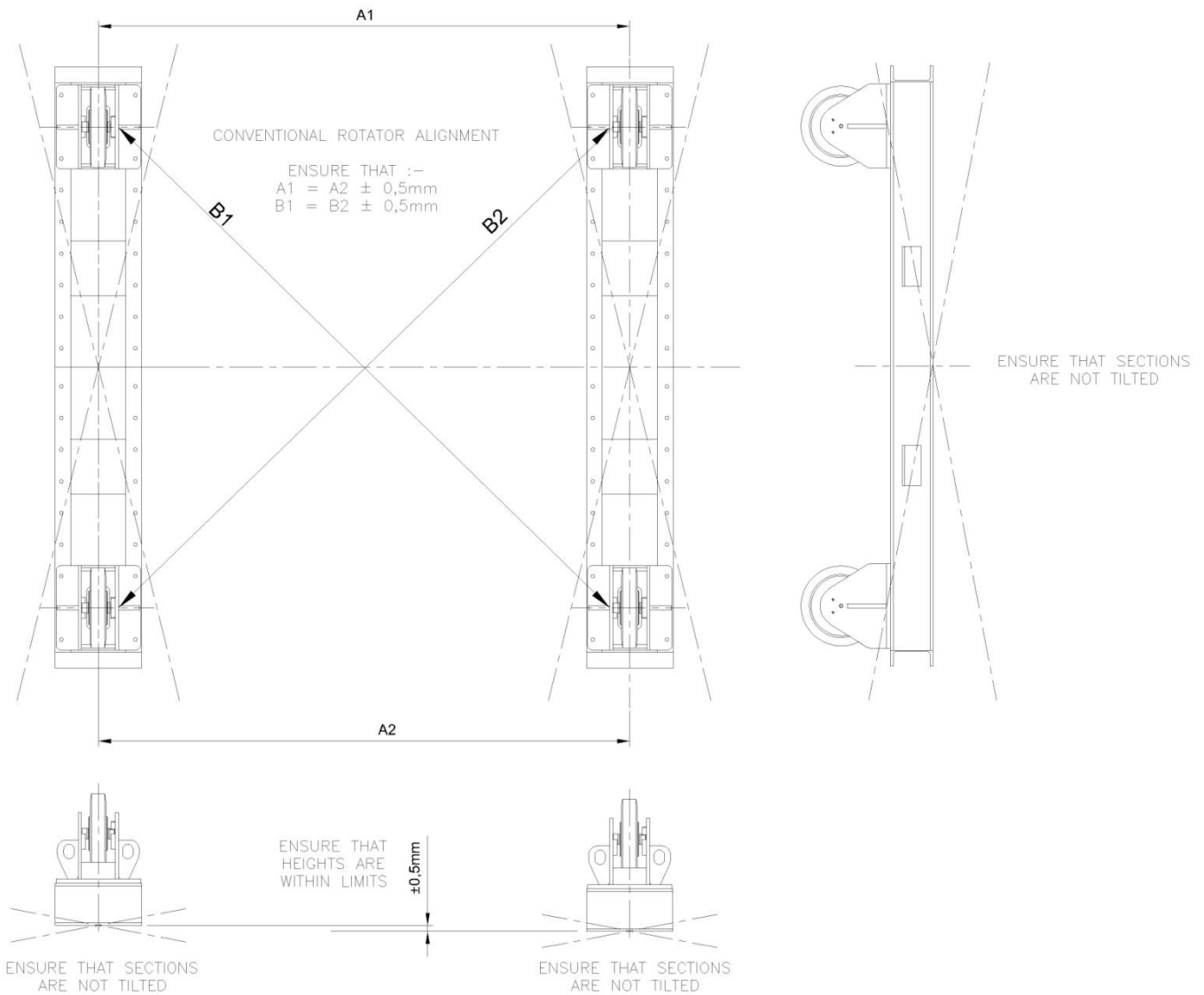


Figure 7 Diagram Showing Correct Alignment Procedure Between Drive and Idler Sections

4.7 BREAKDOWNS

If the rotators stop working, then the equipment must only be repaired by qualified service personnel.



If there are repeat faults, then this could indicate a problem with the machines. Inform the person on site that is responsible for service and maintenance.

4.8 CLEANING

These rotators require no special cleaning instructions. The rotators should not create any pollution to the environment around them during normal operation, although, the welding process being carried out on them may pollute the rotators.



It is good practise to keep the rotators clean. Any arc sparks, flux or slag that falls onto the rotators should be removed as soon as is possible.



WARNING! Rotators must be electrically isolated before cleaning. Any electrical components must not come in contact with water or other cleaning fluids.

5.0 MAINTENANCE AND SERVICING

This chapter should be read by all service engineers that will be working on these rotators.

5.1 GENERAL



WARNING! During all maintenance or repair procedures, the rotators must be electrically isolated. Do this by switching off the main electrical supply and unplugging the mains cable.



WARNING! After disconnecting the power there may be some residual charge in some components in the panel. Wait a few minutes after disconnecting the mains power before commencing work on any electrical elements of the machine.

5.2 INSTALLATION

Before first use, or after maintenance or repair work, or after a period of the rotators being in storage, they will need to go through this installation procedure.

Before the rotators were despatched from the factory, they will have been fully tested on correct functioning and therefore they can be directly put into operation without the need for any further test time. We would though recommend that the operations of all controls are tested before the equipment is put into the production process.

Before starting up, check the following;

- All moving parts can freely move (wheels)
- Check oil level in the gearbox (*see appendix D for Lubrication of the gearboxes*)
- Check the integrity of all cables, mains and hand control pendant, make sure there are no cuts etc.
- Check the hand pendant controls all operate correctly.
- Check the Emergency Stop on the Pendant works, and locks all other controls so the machine cannot restart then reset on the panel.
- Check the Emergency Stop on the Panel works, and locks all other controls so the machine cannot restart then reset on the panel.
- Check the steel framework to ensure it is straight and free from damage.

5.3 FIRST TIME RUN IN

In order for the worm gearbox to reach its optimal efficiency, when first installed the rotators should be run in both directions for the following periods of time.

- At least 8 hours running with no load on the rotators
- 10 hours running with one third loading.
- 15 hours running with two third loading.

After running in for the above the rotators can be run with full loading.



The Gearbox oil should be flushed out and changed after the first 100 hours of operation. After this period follow the lubrication guide in Appendix D.

5.4 STORAGE

There are no specific requirements for storage other than they are stored in a cool dry place. After a long period of storage the machines will need to be checked over thoroughly before being put into use again.



WARNING! After storing or transporting the rotators in a cold climate and moving them into a warm location, there may be a build up of condensation within the machine and electrical controls. To prevent damage, allow the machine to adjust to the new environment temperature.



Do not store these rotators outside unprotected. The rotators should be sheeted, and bare metal areas, bearings, gears and shafts suitably greased to prevent corrosion.

5.5 REPAIR AND MAINTENANCE

These rotators are designed and constructed to the highest standards, using high quality components. As such this equipment should expect to have many years of operational life with only a minimal amount of regular maintenance.

To continue the longevity of the equipment, all efforts should be made to keep the rotators clean and free from dirt or waste from the welding process.

In addition the gearbox oil levels should be checked regularly and kept at the correct levels, see Appendix D, for more information on gearbox maintenance.

At least one per year the whole installation should be inspected with particular attention paid to the following;

- Poor electrical contacts
- Switches and controls
- Loose mechanical parts, ensure all fixings are correctly tightened
- Condition of tyres on wheels (if fitted)
- Condition of solid steel wheels (if fitted)
- Check wheels rotate truly (i.e. no eccentric rotation around the axles).
- Metal corrosion
- Frame damage
- Check for signs of damage to the wheel bearings.
- Follow maintenance procedure for the gearboxes in Appendix D
- Check all cables for damage (mains, pendant and also any visible cable running from the panel to the motors).
- Check the emergency stops and also the correct functioning of the panel door isolator.
- Remove guards and check the condition of the spur gear and pinion on the drive wheels.

If there is any excessive damage then the parts should be removed and replaced with new.

5.6 REPAIRS AND REPLACEMENT PARTS

During the warranty period repairs must only be carried out under the direction of the manufacturers. Any unauthorised repairs may damage the machine and invalidate the warranty.

It is advised that the manufacturer should be contacted for the supply of all replacement parts; this will ensure that the correct part or suitable alternative parts are supplied and used on the equipment.

6.0 REPLACEMENT PARTS



WARNING! Not following the recommendations for replacement parts in section 5.5 can have consequences for the safety of the equipment. The manufacturers cannot be held liable for any subsequent problems after fitting none recommended parts.

6.1 MECHANICAL PARTS LIST

<i>Part Number</i>	<i>Description</i>	<i>Quantity</i>
<u>Drive Section</u>		
KPCR005D001	Base Frame	1
KPCR005D002	Wheel Bracket	2
KPCR005D010	Wheel	2
KPCR005D003	Wheel Keep-plate	4
KPCR005D035	Duthane Tyre	2
KPCR005D016	Spur Gear	2
KPCR005D017	Pinion	2
KPCR005D004	Pinion Keep Plate	2
KPCR005D018	Drive Shaft	2
KPCR005D030	Wheel Shaft Bearing	4
KPCR005D005	Wheel Shaft Bearing Keep-plate	4
KPCR005D032	Reduction Gearbox	2
KPCR005D033	0.55kW AC Motor	2
KPCR005D006	Set of Wheel Bracket Guards	2
<u>Idler Section</u>		
KPCR005I007	Idler Base Frame	1
KPCR005I008	Idler Wheel Bracket	2
KPCR005I011	Idler Wheel	2
KPCR005I035	Duthane Tyres	2
KPCR005I012	Idler Shaft	2
KPCR005I030	Wheel Shaft Bearing	4
KPCR005I009	Wheel Shaft Bearing Keep-plate	4

6.2 ELECTRICAL PARTS LIST

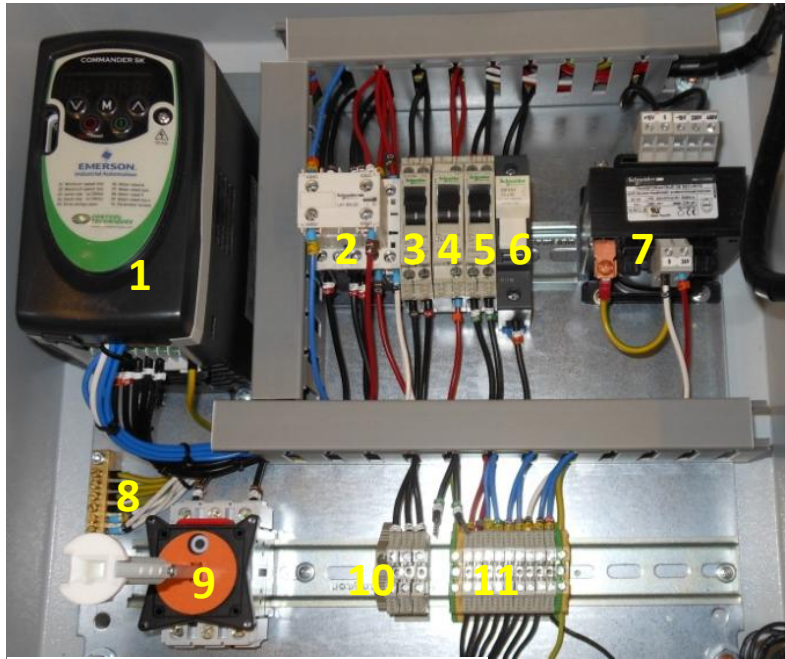


Figure 8 Panel Inside



Figure 10 Panel Door



Figure 9 Hand Pendant

Photo No.	Part Number	Description	Quantity
1	KP3005	Inverter 1 Phase 0.75kW 110V	1
2	KP1060	Contactor & Auxiliary Block	1
3	KP1009	1 Pole Circuit Breaker 2A	1
4	KP1010	1 Pole Circuit Breaker 3A	1
5	KP1016	1 Pole Circuit Breaker 0.5A + Link	1
6	KP1007	Fuse Holder 1 Phase	1
7	KP2029	Transformer 110V/24V 57VA	1
8	KP4001	10-Way Earthing Bar	1
9	KP1062	Door Isolator	1
10	KP1002	Standard Terminals (Grey)	15
11	KP1001	Earth Terminals (Green/Yellow)	4
12	KP1092	White Power On Lamp	1
13	KP1094	Emergency Stop Reset Blue LED Push Button	1
14	KP4014	Footswitch Selector	1
15	KP4013	Direction L/R Selector	1
16	KP1090	Panel Emergency Stop Button	1
17	KP1064	4 Button Pendant Body plus Emergency Stop Button Guard	1
18	KP1070	Pendant Pushbutton (Green, Red, Yellow)	3
19	KP2026	Speed Potentiometer	1
20	KP1075	Pendant Emergency Stop Button	1
Not Shown	KPPENCAB	Pendant Cable	15m

APPENDIX A – GA DRAWINGS

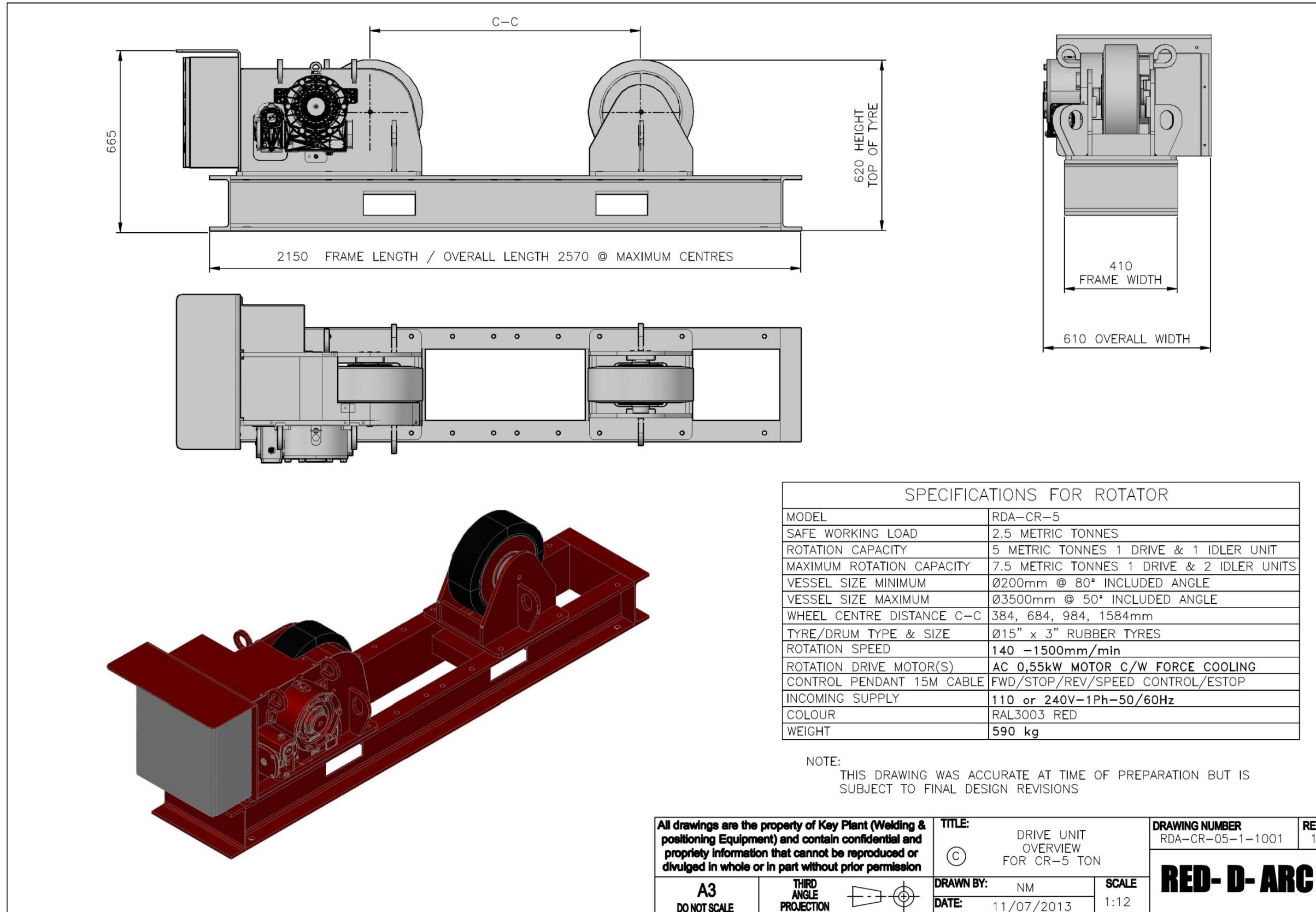
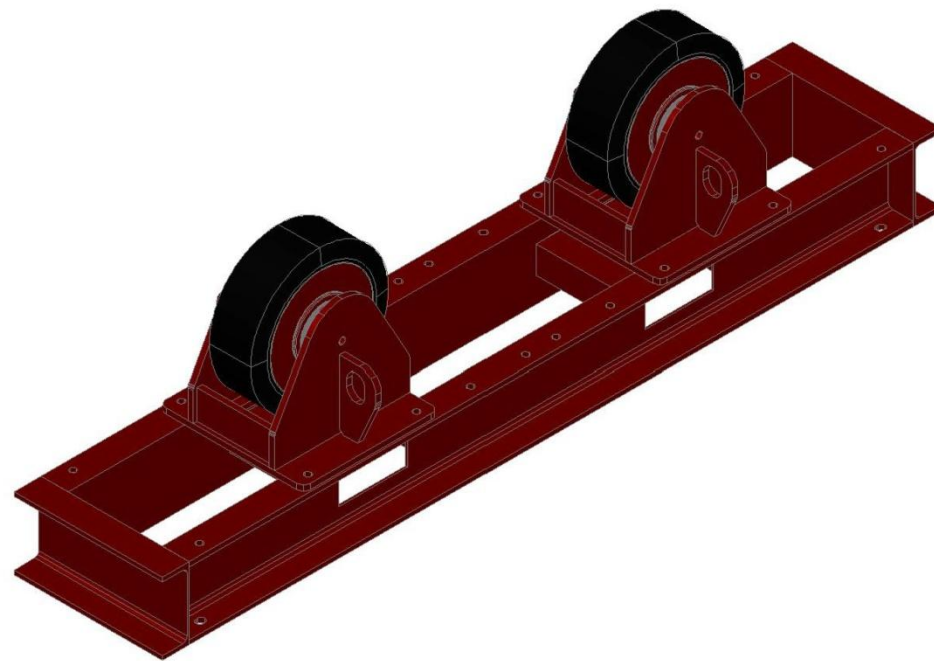
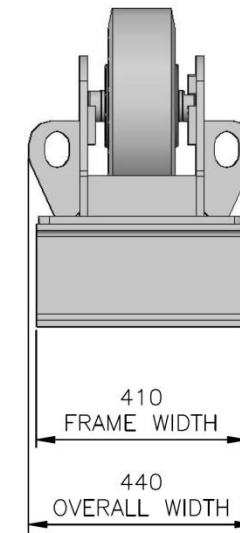
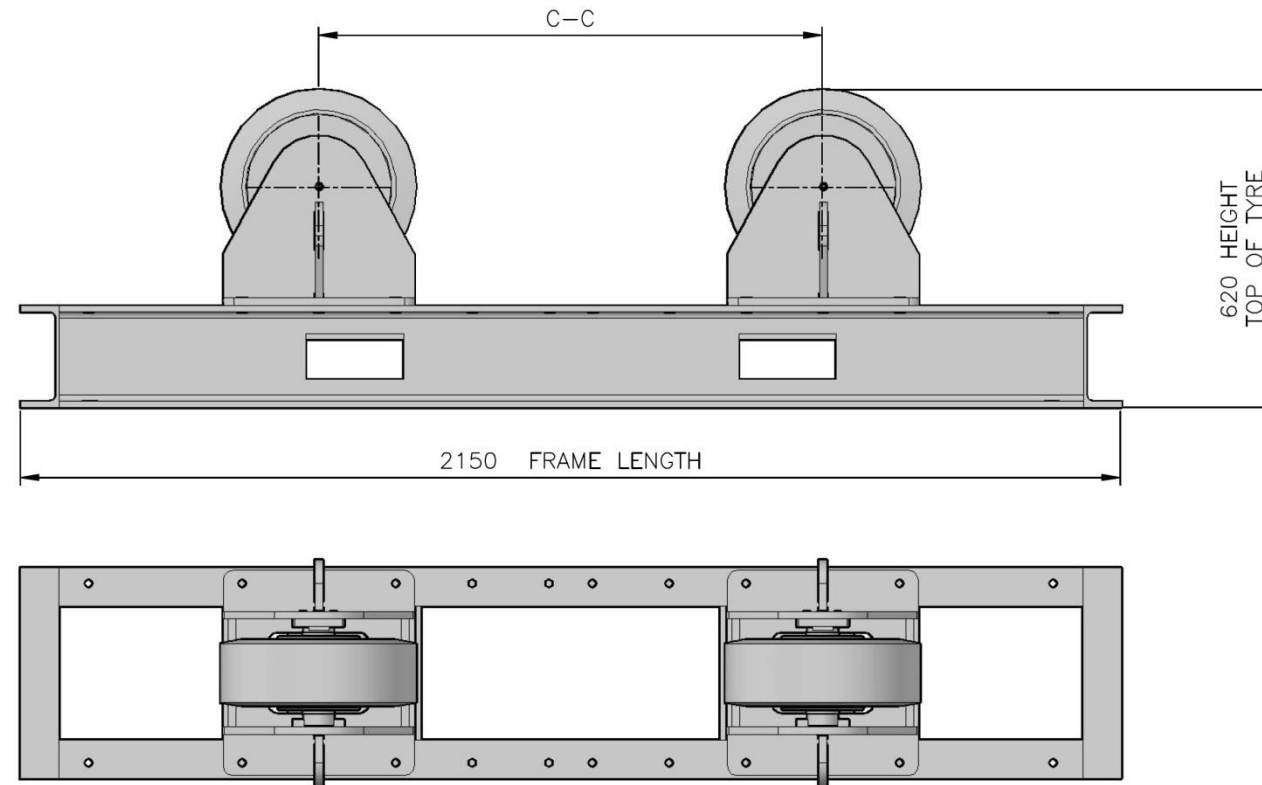


Figure 11 Drive Section GA Drawing & Specification



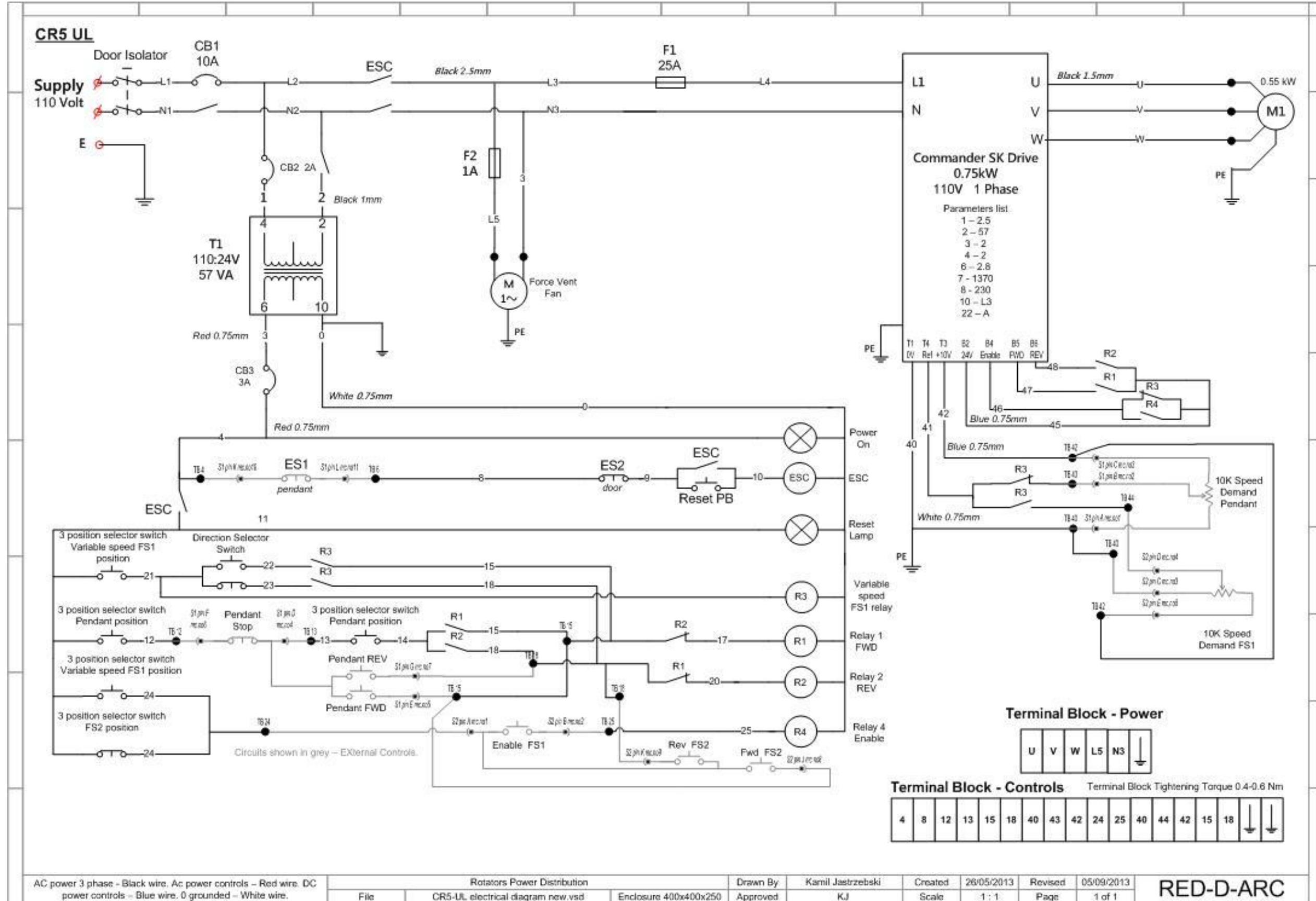
SPECIFICATIONS FOR ROTATOR	
MODEL	RDA-CR-5
SAFE WORKING LOAD	2.5 METRIC TONNES
VESSEL SIZE MINIMUM	Ø200mm @ 80° INCLUDED ANGLE
VESSEL SIZE MAXIMUM	Ø350mm @ 50° INCLUDED ANGLE
WHEEL CENTRE DISTANCE C-C	384, 684, 984, 1584mm
TYRE/DRUM TYPE & SIZE	Ø15" x 5" RUBBER TYRES
COLOUR	RAL3003 RED
WEIGHT	470 KG

NOTE:
1/ THIS DRAWING WAS ACCURATE AT TIME OF PREPARATION BUT IS SUBJECT TO FINAL DESIGN REVISIONS

All drawings are the property of Key Plant (Welding & positioning Equipment) and contain confidential and propriety information that cannot be reproduced or divulged in whole or in part without prior permission		TITLE: IDLER UNIT OVERVIEW FOR CR-5 TON		DRAWING NUMBER RDA-CR-05-1-1002	REV 1
A3 DO NOT SCALE	THIRD ANGLE PROJECTION	DRAWN BY: NM	SCALE 1:12	RED- D- ARC	
		DATE: 11/07/2013			

Figure 12 Idler Section GA Drawing & Specification

APPENDIX B – WIRING DIAGRAM



APPENDIX C – INVERTER PARAMETER SETTINGS

The following settings have been programmed into the inverter at the factory;

Parameter Number	Value	Parameter Number	Value
1	2.5	8	230
2	57	10	L3
3	2	22	A
4	2		
6	2.8		
7	1370		

All other values are as factory set by the inverter manufacturer and need not be altered.

Yellow Button on Pendant – Reverse gives clockwise rotation when looking at the drive rotator section with the gearboxes on the side closest you. Therefore Green button is Anti-Clockwise when looking from the same position.

Note:

Rotation motor overloads are set to 2.5A.

APPENDIX D – GEARBOX MAINTENANCE

● INSPECTION AND MAINENANCE

To ensure these rotators have a long service life you should regularly check and change the oil in the gearboxes. Also the following maintenance checks should be regularly carried out.

1. Except for the first oil change, the oil in the gearbox should be changed every 2500 hours or 6 months.
2. Check if the seal is leaking or irregular.
3. Check if there are any unusual noises during operation. If yes, the bearing may be broken.
4. Check the breathing hole of gearbox is obstruction free.
5. To aid cooling of the gearbox it is recommended that the external housing is kept clean.
6. Check the bolts, re-tighten any that are loose.

● LUBRICATION

The gearboxes on the rotators were filled with the proper quantity of lubricant before leaving the factory. Please see the following table of recommended oils to use in the gearboxes. Note do not mix oils of different brands. Instead drain the oil from the gearbox before refilling with a different brand.

Selection Table of Lubricant

Standard load / Input 600 RPM or over 600 RPM

Temperature(°C)	CPC	ISO VG	Mobil	Shell
-30 ~15	HD 100	VG 100	Mobilgear 627	Omala 100
-15 ~ 3	HD 150	VG 150	Mobilgear 629	Omala 150
-3 ~23	HD 220	VG 220	Mobilgear 630	Omala 220
23 ~40	HD 320	VG 320	Mobilgear 632	Omala 320
40 ~80	HD 460	VG 460	Mobilgear 634	Omala 460

Heavy load / Input 600 RPM or over 600 RPM

Temperature(°C)	CPC	ISO VG	Mobil	Shell
-30 ~15	HD 150	VG 150	Mobilgear 629	Omala 150
-15 ~ 3	HD 220	VG 220	Mobilgear 630	Omala 220
-3 ~23	HD 320	VG 320	Mobilgear 632	Omala 320
23 ~40	HD 460	VG 460	Mobilgear 634	Omala 460
40 ~80	HD 680	VG 680	Mobilgear 636	Omala 680

1. Before replacing the oil, the inside of the gearbox should be cleaned, and the old oil drained out.
2. During the operation, if the heat is over 80°C or any abnormal noise is hears, please shut down and check immediately. Do not start to run again until the problem has been identified and resolved.

APPENDIX E – UL LISTING INFORMATION



ONLINE CERTIFICATIONS DIRECTORY

**GPNY.E353668
Factory Automation Equipment**

[Page Bottom](#)

Factory Automation Equipment

[See General Information for Factory Automation Equipment](#)

KEY PLANT AUTOMATION LTD
KENSINGTON HOUSE
7 ROE LANE
SOUTHPORT
MERSEYSIDE, PR9 9DT UNITED KINGDOM

E353668

Column and booms, Model MD AMxBM. Where A = 2, 3, or 4 and B = 2, 3, or 4.

Model HD AMxBM. Where A = 3, 4, 5, 6, 7 or 8 and B = 3, 4, 5, 6 or 7.

Positioners, Model VP X. Where X = 0.25, 0.75, 1.5, 3, 5, 10, 15, 20, 25 or 35.

Rotators, Model CR X. Where X = 10, 20, 30, 60, 100, 125, 200, 300, 400 or 500.

[Last Updated](#) on 2012-06-25

[Questions?](#)

[Print this page](#)

[Terms of Use](#)

[Page Top](#)

© 2012 UL LLC

When the UL Leaf Mark is on the product, or when the word "Environment" is included in the UL Mark, please search the [UL Environment database](#) for additional information regarding this product's certification.

The appearance of a company's name or product in this database does not in itself assure that products so identified have been manufactured under UL's Follow-Up Service. Only those products bearing the UL Mark should be considered to be Listed and covered under UL's Follow-Up Service. Always look for the Mark on the product.

UL permits the reproduction of the material contained in the Online Certification Directory subject to the following conditions: 1. The Guide Information, Designs and/or Listings (files) must be presented in their entirety and in a non-misleading manner, without any manipulation of the data (or drawings). 2. The statement "Reprinted from the Online Certifications Directory with permission from UL" must appear adjacent to the extracted material. In addition, the reprinted material must include a copyright notice in the following format: "© 2012 UL LLC".



GPNY7.E353668 Factory Automation Equipment Certified for Canada

[Page Bottom](#)

Factory Automation Equipment Certified for Canada

[See General Information for Factory Automation Equipment Certified for Canada](#)

KEY PLANT AUTOMATION LTD

E353668

KENSINGTON HOUSE
7 ROE LANE
SOUTHPORT
MERSEYSIDE, PR9 9DT UNITED KINGDOM

Column and booms, Model MD AMxBM. Where A = 2, 3, or 4 and B = 2, 3, or 4.

Model HD AMxBM. Where A = 3, 4, 5, 6, 7 or 8 and B = 3, 4, 5, 6 or 7.

Positioners, Model VP X. Where X = 0.25, 0.75, 1.5, 3, 5, 10, 15, 20, 25 or 35.

Rotators, Model CR X. Where X = 10, 20, 30, 60, 100, 125, 200, 300, 400 or 500.

[Last Updated](#) on 2012-06-25

[Questions?](#)

[Print this page](#)

[Terms of Use](#)

[Page Top](#)

© 2012 UL LLC

When the UL Leaf Mark is on the product, or when the word "Environment" is included in the UL Mark, please search the [UL Environment database](#) for additional information regarding this product's certification.

The appearance of a company's name or product in this database does not in itself assure that products so identified have been manufactured under UL's Follow-Up Service. Only those products bearing the UL Mark should be considered to be Listed and covered under UL's Follow-Up Service. Always look for the Mark on the product.

UL permits the reproduction of the material contained in the Online Certification Directory subject to the following conditions: 1. The Guide Information, Designs and/or Listings (files) must be presented in their entirety and in a non-misleading manner, without any manipulation of the data (or drawings). 2. The statement "Reprinted from the Online Certifications Directory with permission from UL" must appear adjacent to the extracted material. In addition, the reprinted material must include a copyright notice in the following format: "© 2012 UL LLC".

TABLE OF ILLUSTRATIONS

Figure 1 Main Panel 11
Figure 2 Hand Control Pendant 12
Figure 3 Lifting Chain Angles..... 13
Figure 4 Diagram Showing Included Angle 15
Figure 5 Wheel Brackets Too Far Apart 17
Figure 6 Wheel Brackets Too Close Together 17
Figure 7 Diagram Showing Correct Alignment Procedure Between Drive and Idler Sections 18
Figure 10 Panel Inside 23
Figure 8 Hand Pendant 23
Figure 9 Panel Door..... 23
Figure 11 Drive Section GA Drawing & Specification..... 24
Figure 12 Idler Section GA Drawing & Specification 25

INDEX

B		O	
Baseframe.....	6	oil change.....	28
bearing.....	28	oil levels.....	21
Breakdown.....	19	Operating.....	16
C		Operating Instructions.....	10
CE Certificate of Conformity.....	29	Operator.....	4
Cleaning.....	19	OPERATORS	7
Common Mistakes.....	17	P	
Contents.....	2	Panel.....	6, 11, 20
D		PARTS LIST	
Disclaimer.....	5	Electrical.....	23
Drawing.....	24, 25	Mechanical.....	22
Drive Unit.....	6	Pendant.....	6, 12, 20, 23
E		Preface.....	4
Emergency Stops.....	8	R	
Emissions.....	9	Replacement Parts.....	22
G		Replacment Parts.....	22
gearbox.....	10, 20, 21, 28	Rotator Set	6
Gearbox Maintenance.....	28	S	
I		Safety Notices.....	5
Idler Unit.....	6	Safety Officer.....	4
Included Angle.....	14	Safety Rules.....	7
Installation.....	20	Service Engineer.....	4
Introduction.....	6	SERVICE ENGINEERS	7
Inverter Parameter.....	27	Signs.....	9
M		starting up.....	20
Machine Details.....	10	Stopping the Rotators.....	16
Maintenance.....	7, 20, 21	Storage.....	21
Motor Information.....	29	Switching On.....	15
N		U	
Nomenclature.....	6	User.....	1, 4
		W	
		Welding.....	16
		Wheel Bracket.....	6, 22
		Adjustment.....	14
		Workspace.....	8